



ExceLED Series ExceLED 25

SYSTEM

Powerful 25 watt LED fixture is ideal for broadcast or studio general accenting, key lighting or back lighting. Generates a concentrated beam of light with even coverage of 3200K light (5600K optional). Light levels can compete with many 500 or 650 watt Fresnel fixtures in spot beam focus. Additional control achieved with gel frame and barn door accessory options.

UL/CUL/CE Listing in process

SPECIFICATION

Housing: Constructed of .063 formed aluminum then coated with black textured TGIC polyester powder coat finish.

LED Cubes: The 25 watt unit has (1) Cube with (9) LED optical modules. The concentrated beam provides an ultra bright, even coverage of 3200K light (5600K optional), 85 CRI.

Electrical: Units are 120 and 230 volts 50/60 Hz. The ExceLED 25 draws 25 watts. On-board power supply and integrated dimmer. Silent operation. Power entry on unit includes on/off switch.

Mounting: Provided with .125 welded aluminum yoke. Unit may rotate vertically through the yoke and horizontally through a pipe clamp for ease of focus, and may be locked into place.

Fixture Includes:

- (1) LED Cube
- 16' Power cord with NEMA5-15 3-prong plug
- (1) C-Clamp or 5/8" Stand Adapter (Specify One)

LED OPTICS

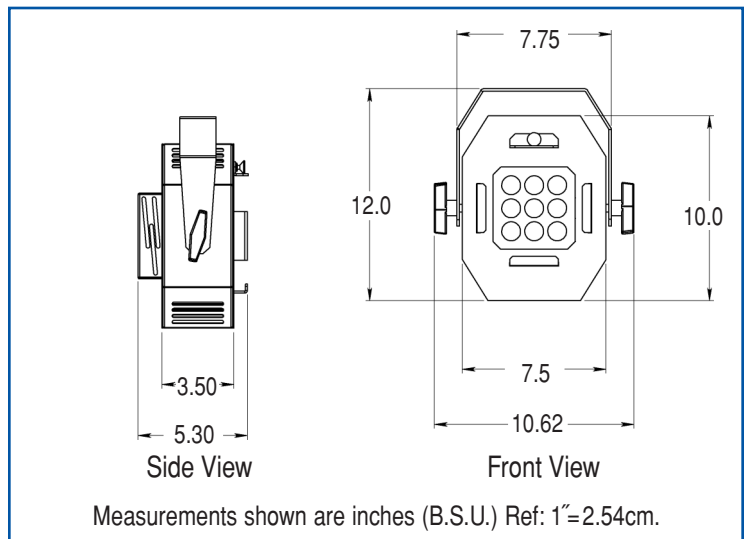
(1) 25 watt Cube with (9) LED optical modules
3200K, (5600K optional)
40,000 Hours Life CRI: 85

OPTIONS (Must Specify Each)

Driver 120 VAC/60Hz
 230 VAC/50-60Hz

Mounting 2" O.D.C-Clamp
 5/8" Stand Adapter

LEDs 3200K (Standard)
 5600K



MODEL

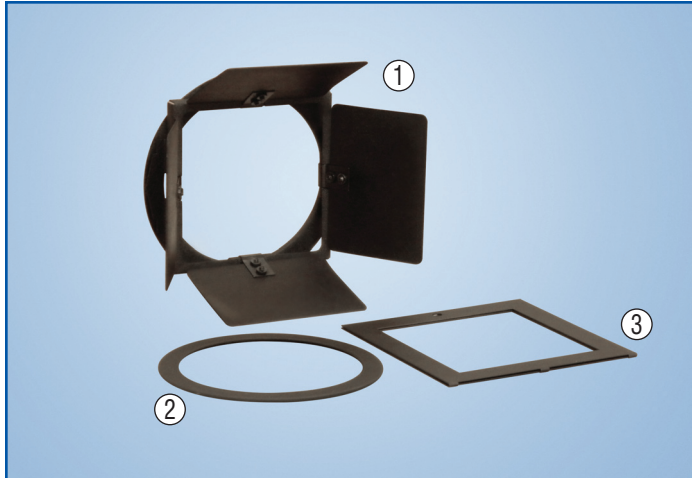
E025-ND	Non Dim – 120v & 230v
E025-D/PM	Phase Control – 120v & 230v

WEIGHT

	Lbs.	Kg.	DIMENSIONS	Inches	Cm.
Complete	5.5	2.5	Length	10.6	27.0
Hanging	6.5	3.0	Height	12.0	30.5
			Width	5.3	13.5

ACCESSORIES

(See detailed description and function in Accessories Section)



PART

①	BD-E025	Barn Door
②	GF-E025R	Gel Frame, Round
③	GF-E025	Gel Frame, Square
	LS-E025-5	5° Spread Lens Gel
	LS-E025-10	10° Spread Lens Gel
	LS-E025-15	15° Spread Lens Gel
	LS-E025-20	20° Spread Lens Gel
	LS-E025-30	30° Spread Lens Gel
	LS-E025-5x15	30° x 4° Spread Lens Gel

PHOTOMETRICS*

		DISTANCE		
MODEL E025-ND		9ft./2.7m	12ft./3.66m	15ft./4.58m
NO ACCESSORIES	FC	551	296	220
	Lux	5932	3186	2368
5600K LEDs	FC	634	340	253
	Lux	6825	3660	2724
Visible Beam Spread		26" Dia.	33" Dia.	45" Dia.

		DISTANCE		
W/ SPREAD LENSES		3ft./0.92m	6ft./1.83m	9ft./2.75m
5° SPREAD LENS	FC	1770	646	293
	Lux	19,054	6954	3154
** Beam Spread		14" Dia.	28" Dia.	42" Dia.
10° SPREAD LENS	FC	1000	311	138
	Lux	10,765	3348	1486
** Beam Spread		18" Dia.	36" Dia.	54" Dia.
15° SPREAD LENS	FC	582	173	76
	Lux	6265	1862	818
** Beam Spread		25" Dia.	50" Dia.	75" Dia.
20° SPREAD LENS	FC	364	105	45
	Lux	3918	1130	484
** Beam Spread		30" Dia.	61" Dia.	91" Dia.
30° SPREAD LENS	FC	257	73	32
	Lux	2767	786	344
** Beam Spread		34" Dia.	75" Dia.	103" Dia.

* Light level readings were measured in foot-candles (fc) and converted to Lux using the conversion factor of 1 fc = 10.765 Lux. Values shown are light levels on centerline. Reference: Meter used – Minolta T-1 Illuminance meter. LEDs 3200K. Ambient temperature in test studio 75F ± 3F. Distance measurements converted to feet using 1ft. = .305 m. Original photometric data on file at the factory.

** Spread Lens "Beam Spread" size is determined when light levels reach 1/10 of the light levels at the center of the beam.