



ExceLED Series ExceLED 50

SYSTEM

Powerful 50 watt LED fixture is ideal for broadcast or studio general accenting, key lighting or back lighting. Generates a concentrated beam of light with even coverage of 3200K light (5600K optional). Light levels provided by this unit come close to many 1000 watt Fresnel fixtures in spot beam focus. Additional control achieved with gel frame and barn door accessory options.

cCSAus Certified for USA/Canada and CE.

SPECIFICATION

Housing: Constructed of .063 formed aluminum then coated with black textured TGIC polyester powder coat finish.

LED Cubes: The 50 watt unit has (2) Cubes with (9) LED optical modules in each. The concentrated beam provides an ultra bright, even coverage of 3200K light (5600K optional), 85 CRI.

Electrical: Units are 120 and 230 volts 50/60 Hz. The ExceLED 50 draws 50 watts. On-board power supply and integrated dimmer. Silent operation. Power entry on unit includes on/off switch and IEC connector.

Mounting: Provided with .125 welded aluminum yoke. Unit may rotate vertically through the yoke and horizontally through a pipe clamp for ease of focus, and may be locked into place.

Fixture Includes:

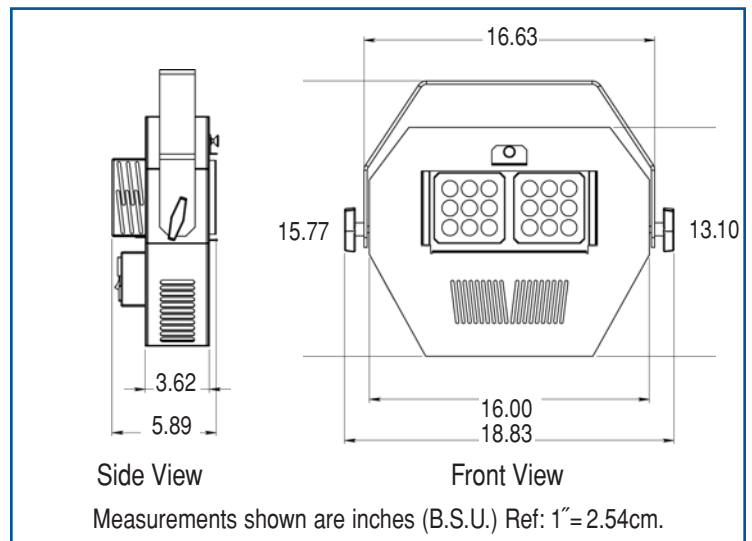
- (2) LED Cubes
- 16' Power cord with NEMA5-15 3-prong plug
- (1) C-Clamp or 5/8" Stand Adapter (Specify One)

LED OPTICS

(2) 25 watt Cubes with (9) LED optical modules each
3200K, (5600K optional)
40,000 Hours Life CRI: 85

OPTIONS (Must Specify Each)

Driver	120 VAC/60Hz 230 VAC/50-60Hz
Mounting	2" O.D.C-Clamp 5/8" Stand Adapter
LEDs	3200K (Standard) 5600K



MODEL

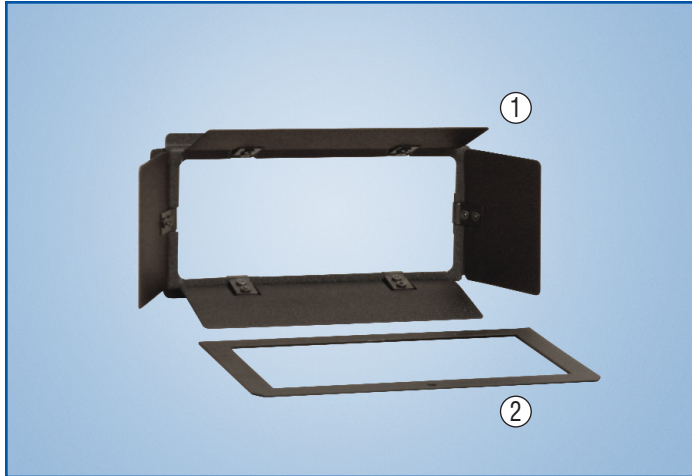
E050-ND	Non Dim – 120v & 230v
E050-D/PM	Phase Control – 120v & 230v

WEIGHT

	Lbs.	Kg.	DIMENSIONS	Inches	Cm.
Complete	11.0	4.9	Length	18.83	47.8
Hanging	13.0	5.9	Height	15.77	40.1
			Width	5.89	15.0

ACCESSORIES

(See detailed description and function in Accessories Section)



PART #

①	BD-E050	Barn Door
②	GF-E050	Gel Frame
	LS-E050-5	5° Spread Lens Gel
	LS-E050-10	10° Spread Lens Gel
	LS-E050-15	15° Spread Lens Gel
	LS-E050-20	20° Spread Lens Gel
	LS-E050-30	30° Spread Lens Gel

PHOTOMETRICS*

6-10 MODEL E050-ND	DISTANCE			
		12ft./3.66m	15ft./4.58m	18ft./5.49m
NO ACCESSORIES	FC	676	459	332
3200K LEDs	Lux	7,277	4,941	3,574
5600K LEDs	FC	776	528	382
	Lux	8,354	5,684	4,112
	Visible Beam Spread	40" Dia.	50" Dia.	58" Dia.

6-11 W/ SPREAD LENSES	DISTANCE			
		6ft./1.83m	9ft./2.7m	12ft./3.66m
5° SPREAD LENS	FC	1410	644	342
3200K LEDs	Lux	15,179	6933	3682
	** Beam Spread	21" Dia.	32" Dia.	42" Dia.
10° SPREAD LENS	FC	820	351	196
3200K LEDs	Lux	8827	3779	2110
	** Beam Spread	30" Dia.	44" Dia.	60" Dia.
15° SPREAD LENS	FC	320	154	82
3200K LEDs	Lux	3445	1658	883
	** Beam Spread	38" Dia.	57" Dia.	76" Dia.
20° SPREAD LENS	FC	221	99	55
3200K LEDs	Lux	2379	1066	592
	** Beam Spread	44" Dia.	67" Dia.	88" Dia.
30° SPREAD LENS	FC	110	41	25
3200K LEDs	Lux	1184	441	269
	** Beam Spread	72" Dia.	108" Dia.	144" Dia.

* Light level readings were measured in foot-candles (fc) and converted to Lux using the conversion factor of 1 fc = 10.765 Lux. Values shown are light levels on centerline. Reference: Meter used – Minolta T-1 Illuminance meter. LEDs 3200K. Ambient temperature in test studio 75F ± 3F. Distance measurements converted to feet using 1ft. = .305 m. Original photometric data on file at the factory.

** Spread Lens "Beam Spread" size is determined when light levels reach 1/10 of the light levels at the center of the beam.