



ExceLED Series ExceLED 100

**Adjustable
Beam!**

SYSTEM

Powerful 100 watt LED unit with adjustable beam spread. An adjustment knob at the back of the fixture easily rotates to move from spot thru flood mode and locks in place. Generates a concentrated beam of light with even coverage of 3200K light (5600K optional). Provides the long throw and high light levels required in large production studios, theaters and similar applications. It outperforms a typical 1000 watt Fresnel fixture in spot beam focus and comes very close to competing with many 2K fixtures. The daylight option easily replaces a 400 watt HMI fixture. Additional control achieved with gel frame and barn door accessory options.
cCSAus Certified for USA/Canada and CE.

SPECIFICATION

Housing: Constructed of .063 formed aluminum, then coated with black textured TGIC polyester powder coat finish.

LED Cubes: (4) Cubes with (9) LED optical modules in each, pivot from center to adjust the beam spread. The concentrated beam provides an ultra bright, even coverage of 3200K light (5600K optional), 85 CRI.

Electrical: Unit input is 120 and 230 volts 50/60 Hz. Draws 100 watt with on-board power supply and integrated dimmer. Silent operation. Power entry on unit includes on/off switch and IEC connector.

Mounting: Provided with .187 welded aluminum yoke. Unit may rotate vertically through the yoke and horizontally through a pipe clamp for ease of focus, and may be locked into place.

Fixture Includes:

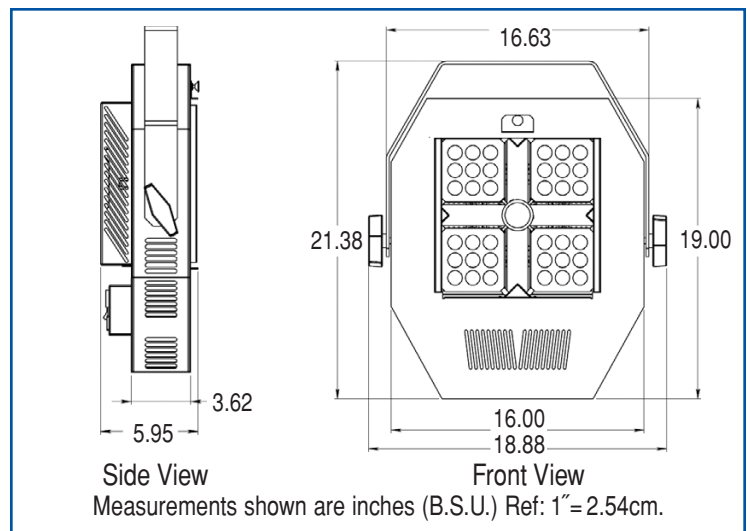
- (4) LED Cubes
- 16' Power cord with NEMA5-15 3-prong plug
- (1) C-Clamp or 5/8" Stand Adapter (Specify one)

LED OPTICS

(4) 25 watt Cubes with (9) LED optical modules each
3200K, (5600K optional)
40,000 Hours Life CRI: 85

OPTIONS (Must Specify Each)

Driver	120 VAC/60Hz 230 VAC/50-60Hz
Mounting	2" O.D.C-Clamp 5/8 Stand Adapter
LEDs	3200K (Standard) 5600K



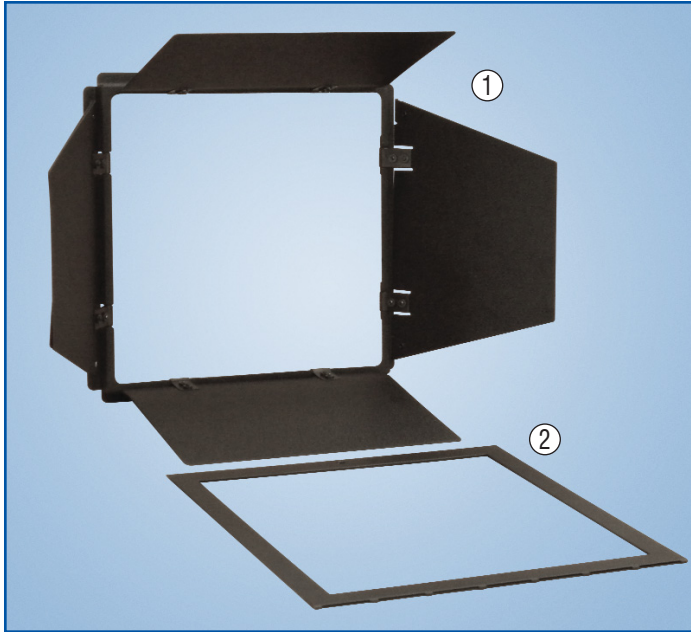
MODEL

E100-ND	Non Dim – 120v & 230v
E100-D/PM	Phase Control – 120v & 230v

WEIGHT			DIMENSIONS	Inches	Cm
	Lbs	Kg			
Complete	17.0	7.7	Length	18.88	48.0
Hanging	19.0	8.6	Height	21.38	54.3
			Width	5.95	15.1

ACCESSORIES

(See detailed description and function in Accessories Section)



PART

①	BD-E100	Barn Door
②	GF-E100	Gel Frame
	LS-E100-5	5° Spread Lens Gel
	LS-E100-10	10° Spread Lens Gel
	LS-E100-15	15° Spread Lens Gel
	LS-E100-20	20° Spread Lens Gel
	LS-E100-30	30° Spread Lens Gel

PHOTOMETRICS*

6-10		DISTANCE		
MODEL E100-ND		25ft./7.63m	35ft/10.68m	45ft/13.73m
NO ACCESSORIES – SPOT	FC	311	166	102
	Lux	3348	1787	1098
5600K LEDs	FC	358	191	117
	Lux	3854	2056	1260
Visible Beam Spread		60" Dia.	84" Dia.	108" Dia.

6-11		DISTANCE		
W/ SPREAD LENSES		10ft./3.05m	15ft./4.58m	20ft/6.10m
5° SPREAD LENS	FC	876	414	239
	Lux	9430	4457	2573
** Beam Spread		36" Dia.	54" Dia.	72" Dia.
10° SPREAD LENS	FC	547	252	147
	Lux	5888	2713	1582
** Beam Spread		52" Dia.	78" Dia.	104" Dia.
15° SPREAD LENS	FC	257	118	68
	Lux	2767	1270	732
** Beam Spread		69" Dia.	104" Dia.	138" Dia.
20° SPREAD LENS	FC	165	76	44
	Lux	1776	818	474
** Beam Spread		79" Dia.	118" Dia.	156" Dia.
30° SPREAD LENS	FC	74	34	20
	Lux	797	366	215
** Beam Spread		129" Dia.	192" Dia.	256" Dia.

* Light level readings were measured in foot-candles (fc) and converted to Lux using the conversion factor of 1 fc = 10.765 Lux. Values shown are light levels on centerline. Reference: Meter used – Minolta T-1 Illuminance meter. LEDs 3200K. Ambient temperature in test studio 75F ± 3F. Distance measurements converted to feet using 1ft = .305 m. Original photometric data on file at the factory.

** Spread Lens "Beam Spread" size is determined when light levels reach 1/10 of the light levels at the center of the beam.