



**Videssence™**

# ExceLED Series ExceLED 225 – Nine Light

## SYSTEM *Adjustable Beam!*

Powerful 225 watt LED unit with adjustable beam spread provides an alternate to high wattage “nine lights.” Two adjustment knobs at the top of the fixture easily slide to move the left and right three cubes independent of the center row and lock into place. Generates a concentrated beam of light with even coverage of 3200K light (5600K optional). Provides the long throw and high light levels required for film and video in large production studios and similar applications. Additional control is achieved with gel frame and spread lens accessory options.

UL/CUL/CE Listing in process

## SPECIFICATION

**Housing:** Constructed of .063 formed aluminum then coated with black textured TGIC polyester coat finish.

**LED Cubes:** (9) Cubes with (9) LED optical modules in each. Left and right row of cubes pivot outward to adjust or separate the beam spread. The concentrated beam provides an ultra bright, even coverage of 3200K light (5600K optional), 85 CRI.

**Electrical:** Unit input is 120 or 230 volts 50/60 Hz. Draws 1.7 amps with on-board power supply. Silent operation. Each lamp switches individually. Power entry on unit includes on/off switch and IEC connector.

**Mounting:** Provided with .187 welded aluminum yoke. Unit may rotate vertically through the yoke and horizontally through a pipe clamp for ease of focus, and may be locked into place.

### Fixture Includes:

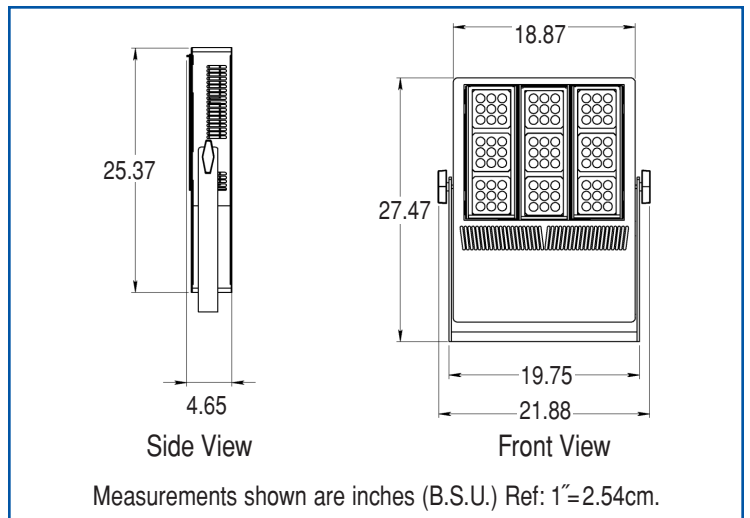
- (9) LED Cubes
- 16' power cord with NEMA5-15 (3) prong plug
- (1) C-Clamp **or** 5/8" Stand Adapter (Specify One)

## LED OPTICS

(9) 25 watt Cubes with (9) LED optical modules each  
3200K, (5600K optional)  
40,000 Hours Life CRI: 85

## OPTIONS *(Must Specify Each)*

Driver	120 VAC/60Hz
	230 VAC/50-60Hz
Mounting	2" O.D.C-Clamp
	5/8" Stand Adapter w/ 7/8" Receiver
LEDs	3200K (Standard)
	5600K



### MODEL #

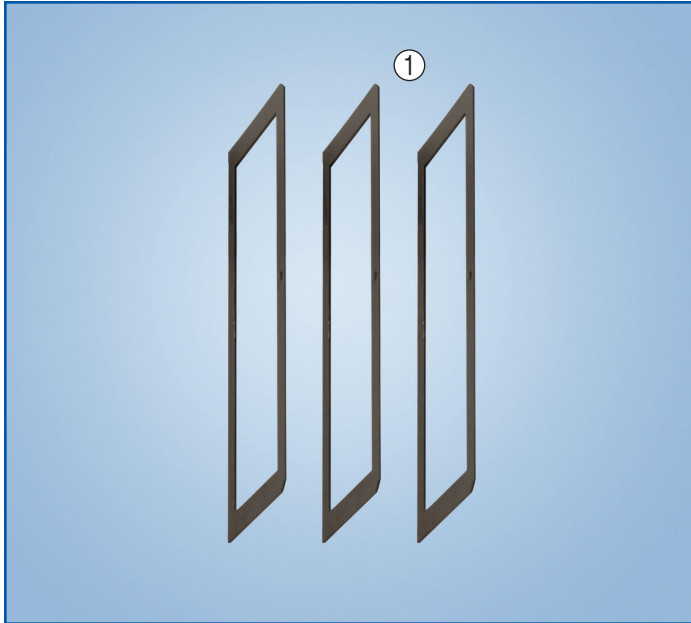
E225-ND	Non Dim – 120v & 230v
E225-D/PM	Phase Control – 120v & 230v

### WEIGHT

	Lbs.	Kg.	DIMENSIONS	Inches	Cm.
Complete	30.0	13.6	Length	21.88	55.6
Hanging	32.0	14.5	Height	27.47	69.8
			Width	4.65	11.8

### ACCESSORIES

(See detailed description and function in Accessories Section)



#### PART #

① GF-E225-3	Gel Frame, Set of (3)
GF-E225-1	Gel Frame, (1) Replacement
LS-E225-3-5	5° Spread Lens Gel, Set of (3)
LS-E225-1-5	5° Spread Lens Gel, (1) Replacement
LS-E225-3-10	10° Spread Lens Gel, Set of (3)
LS-E225-1-10	10° Spread Lens Gel, (1) Replacement
LS-E225-3-15	15° Spread Lens Gel, Set of (3)
LS-E225-1-15	15° Spread Lens Gel, (1) Replacement
LS-E225-3-20	20° Spread Lens Gel, Set of (3)
LS-E225-1-20	20° Spread Lens Gel, (1) Replacement
LS-E225-3-30	30° Spread Lens Gel, Set of (3)
LS-E225-1-30	30° Spread Lens Gel, (1) Replacement

### PHOTOMETRICS\*

6-11 MODEL E225-ND		DISTANCE		
		30ft./9.15m	50ft./15.25m	75ft./22.88m
NO ACCESSORIES – SPOT	FC	485	180	85
	Lux	5,221	1,838	915
3200K LEDs	FC	558	207	98
	Lux	6,007	2,228	1,055
Beam Spread		7' Dia.	11.5' Dia.	17.5' Dia.

\* Light level readings were measured in foot-candles (fc) and converted to Lux using the conversion factor of 1 fc = 10.765 Lux. Values shown are light levels on centerline. Reference: Meter used – Minolta T-1 Illuminance meter. LEDs 3200K. Ambient temperature in test studio 75F ± 3F. Distance measurements converted to feet using 1ft. = .305 m. Original photometric data on file at the factory.