



FACELITE Series FL010 & FL010-S

SYSTEM

Powerful 10 watt, high color rendering LED niche light. The fixtures are very small, light weight and easy to handle or mount in tight quarters. They are designed to boost the vertical light levels on your face and features to separate you from the ambient lighting around you for the camera. The Osram/ Sylvania HF2 Narrow Stick LED lamp is 10 watts, with 3000K color (4000K optional) and has a rated life of 50,000 hours. Provided with brackets that may be secured to a surface with screws or with an adjustable height stand. They deliver flicker-free dimming without color shift and 85+ CRI. Power supply, with cord is 120-230 volts and U.L. listed.

SPECIFICATION

Housing: Constructed of 22 gauge CRS then coated with black textured TGIC polyester powder coat finish. Provided with frosted, spread lens gel.

LED: (1) 10 watt Osram/Sylvania HF2 Narrow Stick LEDs. They provide even coverage of 3000K light (4000K optional). 85+ CRI with 50,000 hours rated life.

Electrical: Power Supply unit is a 120 thru 230 volts 50/60 Hz transformer with 5' cord. It is 24 volt, DC Class 2, with plug for any standard electrical 120 volt outlet. UL, CUL, CE listed and RoHS compliant. Silent operation. Dimming option available.

Mounting: Provided with 22 gauge CRS adjustable mounting brackets to allow aiming that may be secured to a surface with screws. Optional Stand mounted version has weighted base with height adjustment.

Standard Fixture Includes:

- (1) LED Chip
- (1) Remote Power Supply with 5' cord
- (2) Brackets for mounting

LED OPTICS

(1) 10 watt Osram/Sylvania HF2 Narrow Stick Chip at 3000K (4000K optional)

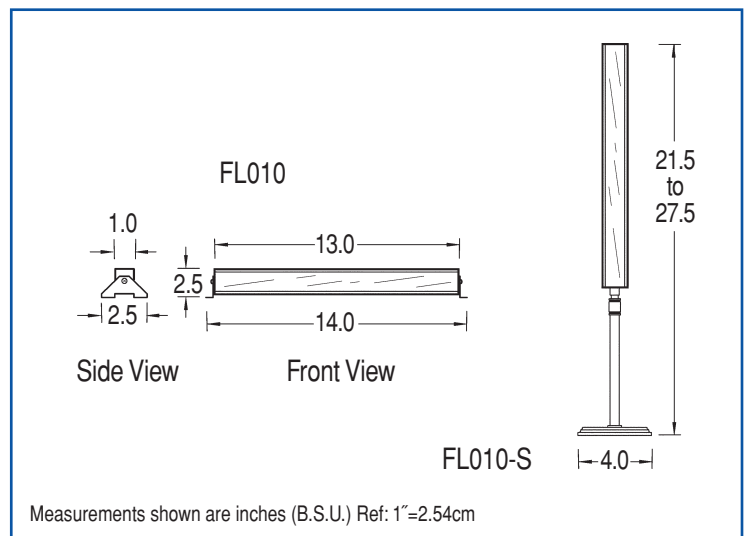
50,000 Hours Life CRI: 85+

OPTIONS *(Must Specify Each)*

Power Supply 120-230 volts, Non Dim (Standard)
120-230 volts, With in-line Dimmer
(with #DC-CNTRL-LED accessory)

Mounting Bracket Mount (Standard)
Adjustable Stand Mount

LEDs 3000K (Standard)
4000K



BRACKET MODEL

FL010-30K	120v thru 230v Non-Dim
FL010-40K	120v thru 230v Non-Dim
FL010-30K-DC	120v thru 230v Dim
FL010-40K-DC	120v thru 230v Dim

STAND MODEL

FL010-S-30K	120v thru 230v Non-Dim
FL010-S-40K	120v thru 230v Non-Dim
FL010-S-30K-DC	120v thru 230v Dim
FL010-S-40K-DC	120v thru 230v Dim

ACCESSORIES

(See detailed description and function in Accessories Section)

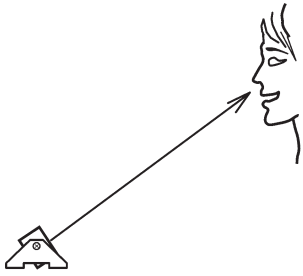


PART #

- ① DC-CNTRL-LED In Line DC Dimmer
- ② CB-P-DC-Y “Y” Splitter Cable, 6”
- ③ CB-P-DC-M Male Power Cable, 11”
- ④ CB-P-DC-F Female Power Cable, 11”

PHOTOMETRICS

2-14	DISTANCE to FACE
MODEL FL010-30K	24”
	FC 60
	Lux 646



FL010					
WEIGHT	Lbs	Kg	DIMENSIONS	Inches	Cm
Complete	1	.45	Length	14.0	35.6
			Height	1.6	4.1
			Width	2.5	6.4

FL010-S					
WEIGHT	Lbs	Kg	DIMENSIONS	Inches	Cm
Complete	2	.90	Length	4.0	10.2
			Height	21.5	54.6
			Width	4.0	10.2

* Light level readings were measured in foot-candles (fc) and converted to Lux using the conversion factor of 1 fc = 10.765 Lux. Values shown are light levels on centerline. Reference: Meter used – Minolta T-1 Illuminance meter. LEDs 3200K. Ambient temperature in test studio 75F ± 3F. Distance measurements converted to feet using 1ft = .305 m. Original photometric data on file at the factory.