



MODULAR Series M110-255BX

SYSTEM

110 watt compact fluorescent unit for low ceilings and grid installations. The interlocking dove-tail construction allows for building of multiple fixture configurations, providing longer throw ranges. All 230 volt fixtures are RoHS compliant.

UL/CUL/CE Listed

SPECIFICATION

Housing: Extruded aluminum fixture is finished with black textured TGIC polyester powder coat. Spread lens is high impact, U.V. stabilized acrylic which also provides lamp protection.

Reflector: Formed .020 high purity aluminum (99.9%) reflector material with 95% reflectance finish.

Socket: Molded white high strength thermoplastic with push wire connections and 18 gauge leads. Model number 2G11 4-pin.

Electrical: Unit contains (1) 2-lamp ballast to drive two 55 watt lamps for a total of 110 lamp watts per fixture. Power factor shall be $>.97$ with a class A sound rating and THD of $<20\%$. Power entry on unit includes fuse holder with fuse (for protection against power surges), spare fuse and IEC connector.

Mounting: Provided with .125 welded aluminum yoke. Unit may rotate vertically through the yoke and horizontally through a pipe clamp for ease of focus, and may be locked into place.

Fixture Includes:

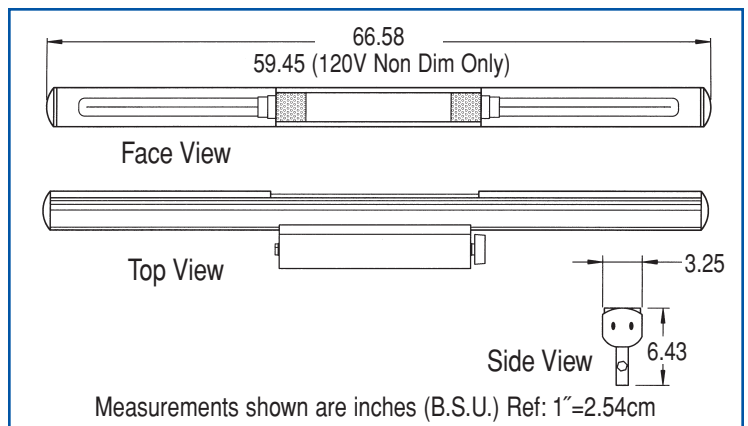
- (2) 55 watt Biax Lamps
- (1) 2-lamp Ballast (Specify Voltage)
- 16' power cord with NEMA5-15 (3) prong plug
- (1) C-Clamp or 5/8" Stand Adapter (Specify One)

LAMPS (Included)

(2) 55 Watt FT55W/2G11/830
3000K, 12,000 Hours Lamp Life
CRI: 82
Light Output: 4800 LM/Lamp

OPTIONS (Must Specify Each)

| | |
|----------|----------------------------------------------------------------------------------------|
| Ballast | 120 VAC/60Hz HPF Electronic 230 VAC/50-60Hz HPF Electronic |
| Mounting | 2" O.D. C-Clamp 5/8" Stand Adapter |
| Lamps | 3000K (Included as Standard) 3200K (Additional charge) 5500K (Additional charge) |



MODEL

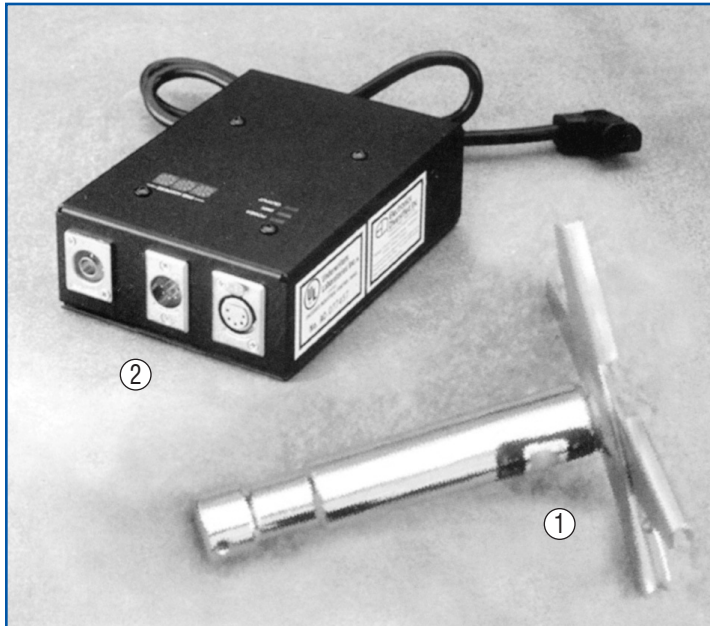
| | | |
|------------|-------------------|----------------------------|
| Single: | M110-255BX-ND | Non Dim |
| | M110-255BX-DMX | Requires a DMX512-S to Dim |
| | M110-255BX-D/PM* | Phase Control Dim |
| Double: | M110-255BX2-ND | Non Dim |
| | M110-255BX2-DMX | Requires a DMX512-S to Dim |
| | M110-255BX2-D/PM* | Phase Control Dim |
| Triple: | M110-255BX3-ND | Non Dim |
| | M110-255BX3-DMX | Requires a DMX512-S to Dim |
| | M110-255BX3-D/PM* | Phase Control Dim |
| Quadruple: | M110-255BX4-ND | Non Dim |
| | M110-255BX4-DMX | Requires a DMX512-S to Dim |
| | M110-255BX4-D/PM* | Phase Control Dim |

* Not available in 230 volt.

| WEIGHT | | | DIMENSIONS | Inches | Cm |
|----------|------|-----|----------------|--------|-------|
| | Lbs | Kg | | | |
| Complete | 11.0 | 5.5 | Length (120 V) | 59.5 | 151.1 |
| DMX | 2.0 | 0.9 | Height | 6.4 | 16.3 |
| | | | Width | 3.3 | 8.4 |

ACCESSORIES

(See detailed description and function in Accessories Section)



PART #

- ① MH-SC Scissor Clamp for Drop Ceiling
- ② DMX-512-S DMX Analog Encoder

PHOTOMETRICS

| 3-97 | | DISTANCE | | | | | |
|------------------|-----|----------|-----------|-----------|------------|------------|------------|
| MODEL M110-255BX | | 3ft/.91m | 6ft/1.83m | 9ft/2.74m | 12ft/3.66m | 15ft/4.57m | 18ft/5.49m |
| M110-255BX | FC | 139 | 49 | 26 | 15 | 10 | 7 |
| | Lux | 1496 | 527 | 278 | 165 | 109 | 79 |
| M110-255BX2 | FC | 280 | 103 | 50 | 32 | 21 | 15 |
| | Lux | 3014 | 1109 | 538 | 340 | 226 | 164 |
| M110-255BX3 | FC | 428 | 156 | 76 | 44 | 31 | 23 |
| | Lux | 4607 | 1679 | 818 | 474 | 334 | 242 |
| M110-255BX4 | FC | 556 | 206 | 101 | 58 | 41 | 30 |
| | Lux | 5985 | 2218 | 1087 | 624 | 441 | 321 |

Light level readings were measured in foot-candles (fc) and converted to Lux using the conversion factor of 1 fc = 10.765 Lux. Values shown are light levels on centerline. Reference: Meter used—Photometrically correct (NIST) Spectra professional IV-4 digital incident light meter with photodisc. Lamps: 3000 Kelvin. Ambient temperature in test studio 75F ±3F. Distance measurements converted to feet using 1ft = .305m. Original photometric data on file at the factory. Specifications subject to change without notice or obligation.