



SOFTKEY LED Series SK025

SYSTEM

25 watt LED units for Video/Tele Conferencing multi use spaces and distance learning. The recessed mount 12" x 12" housing shrouds an adjustable fixture that provides controlled aiming for key, or fill lighting. The adjustable fixture is tension held and rotates 359° and tilts 130°. A variety of beam angles and intensity may be achieved by utilizing spread lens gel options.

cCSAus Certified for USA and Canada. CE in process.

SPECIFICATION

Housing: Constructed of 20 gauge CRS coated with black with an extruded trim in white. Both are TGIC polyester powder coat finish.

LED Cubes: The 25 watt unit has (1) Cube with (9) LED optical modules. The concentrated beam provides an ultra bright, even coverage of 3200K light (5600K optional). 85 CRI.

Electrical: Units are 120, 230 or 277 volts 50/60 Hz. The unit draws 25 watts and is hard wired.

Mounting: Unit may be ordered recessed for T-Bar or Gypsum ceiling installations.

Fixture Includes:

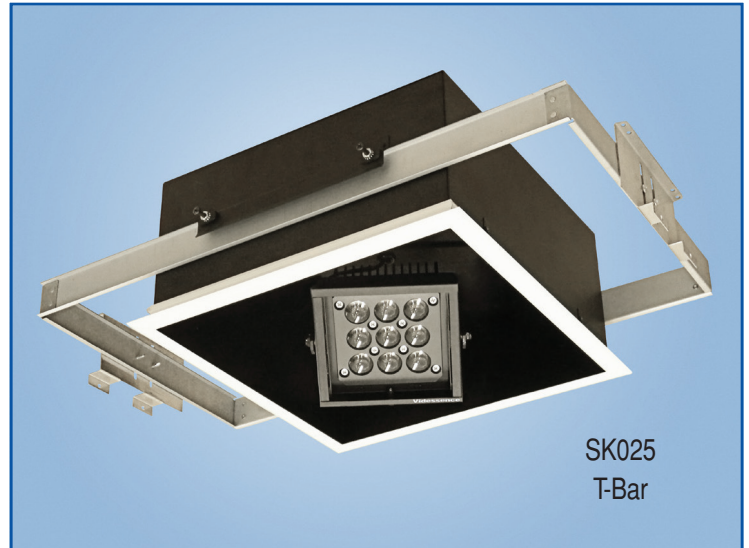
- (1) LED Cube
- (1) Dimming Driver of your choice.
- (1) Gel Frame, Square
- (1) Spread Lens Gel of your choice.

LED OPTICS

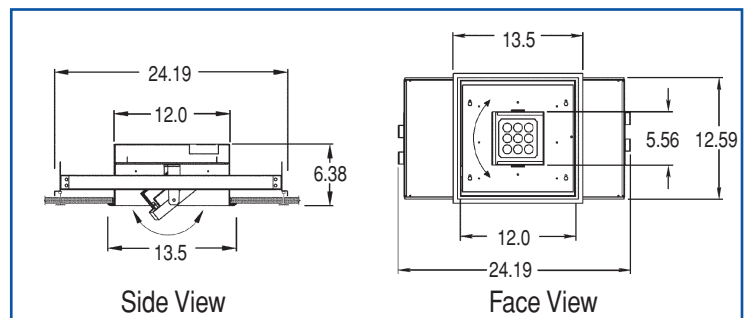
SK025 – (1) 25 w Cube w/ (9) LED optical modules
3200K, (5600K optional)
30,000 Hours Life CRI: 85

OPTIONS *(Must Specify Each)*

Driver	120 VAC/60Hz Dimming 230 VAC/50-60Hz Dimming 277 VAC/60Hz Dimming
Mounting	T-Bar Gypsum/Hard Ceiling
LEDs	3200K (Standard) 5600K

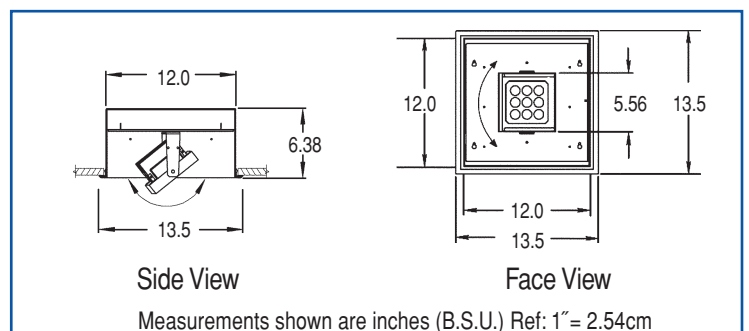


SK025
T-Bar



MODEL # for Recessed T-Bar Ceiling

SK025-TB-D/PM	Phase Control Dim – 120v & 230v
SK025-TB-D3	Lutron, 3 Wire/Digital Dim – 120v – 277v
SK025-TB-DMX	DMX Dim – 120v & 277v

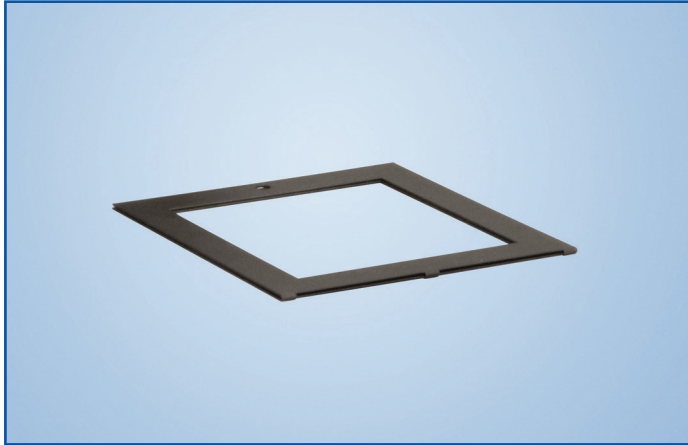


MODEL # for Recessed Gypsum Ceiling

SK025-R-D/PM	Phase Control Dim – 120v & 230v
SK025-R-D3	Lutron, 3 Wire/Digital Dim – 120v – 277v
SK025-R-DMX	DMX Dim – 120v & 277v

ACCESSORIES

(See detailed description and function in Accessories Section)



PART

① GF-SK025	Gel Frame, Square
LS-SK025-5	5° Spread Lens Gel
LS-SK025-10	10° Spread Lens Gel
LS-SK025-15	15° Spread Lens Gel
LS-SK025-20	20° Spread Lens Gel
LS-SK025-30	30° Spread Lens Gel

PHOTOMETRICS*

4-10		DISTANCE		
		9ft./2.7m	12ft/3.66m	15ft/4.58m
MODEL SK025-ND				
NO ACCESSORIES	FC	551	296	220
3200K	Lux	5932	3186	2368
5600K LEDs	FC	634	340	253
	Lux	6825	3660	2724
Visible Beam Spread	26" Dia.	33" Dia.	45" Dia.	

6-11		DISTANCE		
		3ft./0.92m	6ft/1.83m	9ft/2.75m
W/ SPREAD LENSES				
5° SPREAD LENS	FC	1770	646	293
3200K LEDs	Lux	19,054	6954	3154
	** Beam Spread	14" Dia.	28" Dia.	42" Dia.
10° SPREAD LENS	FC	1000	311	138
3200K LEDs	Lux	10,765	3348	1486
	** Beam Spread	18" Dia.	36" Dia.	54" Dia.
15° SPREAD LENS	FC	582	173	76
3200K LEDs	Lux	6265	1862	818
	** Beam Spread	25" Dia.	50" Dia.	75" Dia.
20° SPREAD LENS	FC	364	105	45
3200K LEDs	Lux	3918	1130	484
	** Beam Spread	30" Dia.	61" Dia.	91" Dia.
30° SPREAD LENS	FC	257	73	32
3200K LEDs	Lux	2767	786	344
	** Beam Spread	34" Dia.	75" Dia.	103" Dia.

* Light level readings were measured in foot-candles (fc) and converted to Lux using the conversion factor of 1 fc = 10.765 Lux. Values shown are light levels on centerline. Reference: Meter used – Minolta T-1 Illuminance meter. LEDs 3200K. Ambient temperature in test studio 75F ± 3F. Distance measurements converted to feet using 1ft = 0.305 m. Original photometric data on file at the factory.

** Spread Lens "Beam Spread" size is determined when light levels reach 1/10 of the light levels at the center of the beam.