

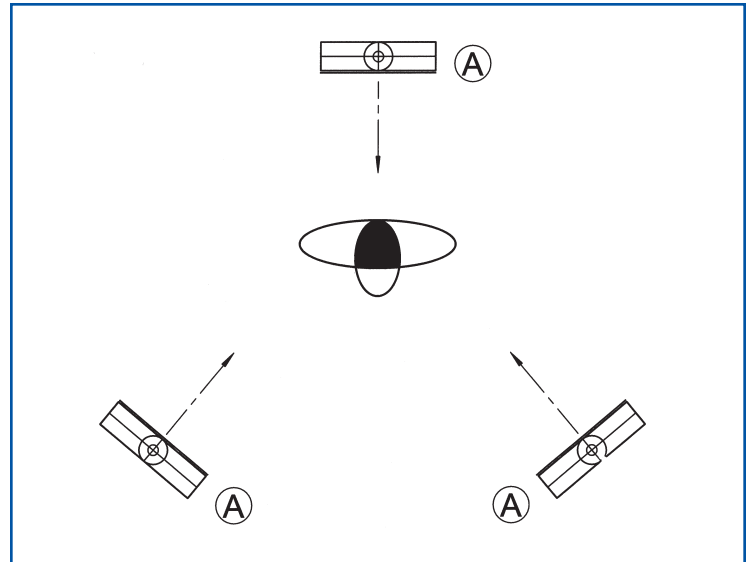
## SYSTEM

- Single Camera/Single Talent lighting solution.
- Light weight fixtures can be hung from suspended ceilings.
- Available in non-dimming and dimming configurations.

## LAYOUT

This package is intended for use in a single Camera/ single reporter position in a Newsroom.

Suspend fixtures from the ceiling by scissor clips in a triangular pattern. The front fixtures should be hung no more than 6' from the Talent while the back light is hung just slightly behind the Talent. If mounted in the proper configuration, light levels of 60-80 foot candles above the ambient light will fill the Talent zone. With all fixtures "full on," power consumption will be less than 400 watts.



## COMPONENTS

### 120 Volt Non-Dimming (NFNS-1)

Type	Qty	Model	Description
Ⓐ	3	P110-255BX-120	Power Key, Focusable Non-Dim Fixture
	3	ZS-P110-W	Wide Zone Control Screen
	3	MT-MH-BS	Baby Spud 5/8"
	3	MT-MH-SC	Drop Ceiling Scissor Clamp
	6	L-BX55/30	55w Lamps, 3000K

### 120 Volt Dimming (DFNS-1)

Type	Qty	Model	Description
Ⓐ	3	P110-255BX-D/PM-120	Power Key, Focusable w/ Phase Control Dim
	3	ZS-P110-W	Wide Zone Control Screen
	3	MT-MH-BS	Baby Spud 5/8"
	3	MT-MH-SC	Drop Ceiling Scissor Clamp
	6	L-BX55/30	55w Lamps, 3000K

Note: Fixtures for #DFNS-1 must be connected to compatible dimming control equipment.

### 230 Volt Non-Dimming (NFNS-2)

Type	Qty	Model	Description
Ⓐ	3	P110-255BX-230	Power Key, Focusable Non-Dim Fixture
	3	ZS-P110-W	Wide Zone Control Screen
	3	MT-MH-BS	Baby Spud 5/8"
	3	MT-MH-SC	Drop Ceiling Scissor Clamp
	6	L-BX55/30	55w Lamps, 3000K

### 230 Volt Dimming (DFNS-2)

Type	Qty	Model	Description
Ⓐ	3	P110-255BX-DMX-230	Power Key, Focusable w/ Phase Control Dim
	3	ZS-P110-W	Wide Zone Control Screen
	3	MT-MH-BS	Baby Spud 5/8"
	3	MT-MH-SC	Drop Ceiling Scissor Clamp
	6	L-BX55/30	55w Lamps, 3000K
	*1	DC-V-10	12 Channel Vista 10 Control
	*2	CB-C-DMX25	25' DMX Cable
	*1	CB-C-DMX50	50' DMX Cable